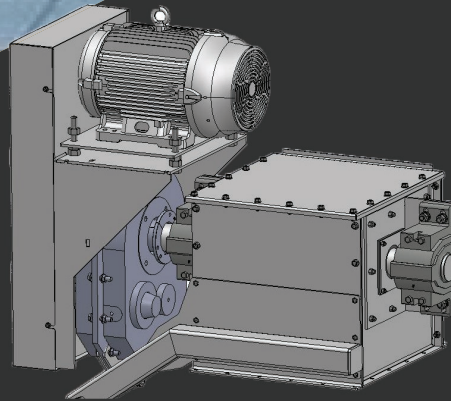


HD DRAG CONVEYOR

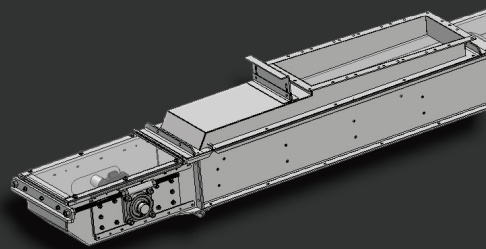


HEAD SECTIONS

- Available in standard box discharge or split style for HD applications for access and ease of maintenance
- Standard heavy gauge fully bolted assemblies
- Standard hardened tooth split sprockets on all conveyors
- Pillow block bearings

DRIVES

- Standard Dodge shaft mount with belt drives on smaller sizes or SEW for larger sizes.
- Alternate drive models available based on customer specifications
- Shaft mount with belt drive
- Alternate shaft combinations available based on customer specifications or applications
- OSHA guard



INLETS

- Standard raised box style inlet
- Alternate metered inlet or bypass style inlet available to suit any customer application

CHAIN

- All conveyor chain comes with HD steel flighting and UHMW bolted paddles specific to the applications
- Discharge Gates available in standard Inline, Cross or Flush styles
- Operator options: Manual, Electric Linear Actuator or gear motor, Hydraulic or Pneumatic
- Gates designed to be mounted for intermediate discharge or head end discharge.

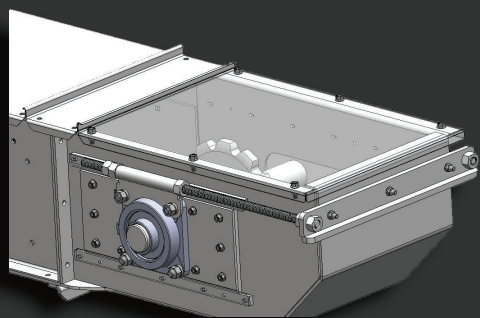


Model	BPH		CFH		MTPH	
	1-FPM	200-FPM	1-FPM	200-FPM	1-FPM	200-FPM
810	15	3040	19	3800	0.14	82
1210	23	4600	29	2800	0.63	126
1214	38	7600	48	9600	1.03	206
1216	45	9000	56	11200	1.22	244
1616	60	12000	75	15000	1.63	326
2016	76	15200	95	19000	2.07	414
1620	80	16000	100	20000	2.18	424
2020	100	20000	125	25000	2.72	534
2420	120	24000	150	30000	3.27	636
2620	130	26000	162	32400	3.54	692

Model	BPH		CFH		MTPH	
	1-FPM	160-FPM	1-FPM	160-FPM	1-FPM	160-FPM
2426	148	23680	185	29600	4.03	650
3026	186	29760	233	37280	5.06	810
3036	224	35840	280	44800	6.10	976
3636	337	53920	421	37360	9.17	1468

COVERS

- Bolted – Environmental or weather tight covers on head, tail trough sections
- Custom covers available based on customer specifications or applications
- Hinged and clamped options available upon request



TAIL SECTIONS

- Available in standard Box or Split style for HD applications for access and ease of maintenance
- Standard heavy gauge fully bolted assemblies
- Standard Hardened tooth Split Sprockets on all conveyors
- Pillow block or take up bearing for split tails

TROUGH SECTIONS

- Bolted trough sections come standard with HD steel gauges specific to the application and conveyor size
- All trough come with HD A.R. steel side liners. Alternate materials and gauges are available based on customer specifications and applications
- All side panels and bottom plates are welded on a jig with HD flanges

